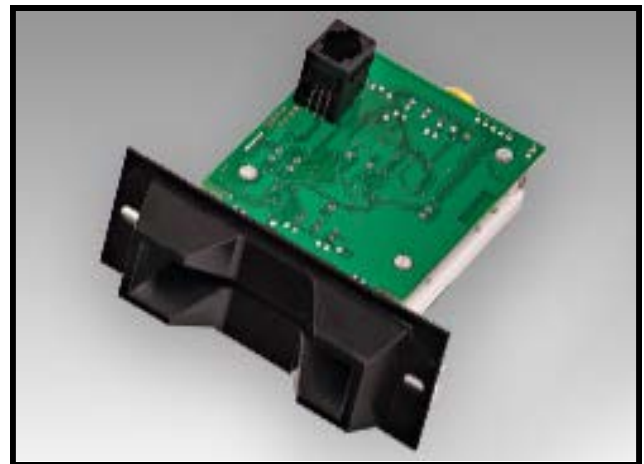


Partial Insertion Magstripe Reader**Features**

- TTL ASCII interface
- ACSC Player Tracking Sys compatible
- StatGuard™ static protection
- Front and rear card detects
- Reads multiple tracks
- Open slot architecture
- Slot illumination
- Easily customized
- Lifetime head warranty available

**Model PI 70-120-TLA-DFR****Specifications**

Interface:	TTL ASCII 9600 Baud, 7 Bits, 2 Stop, Even Parity
Read Direction:	Insertion and/or withdrawal
Tracks:	70% of both ISO tracks 1 and 2
Read Speed:	3ips - 45ips
Card Thickness:	10mils - 45mils
Connectors:	RJ11 and Aux AMP 10523-1
Dimensions:	Length: 3.5in. Width: 4.0in. Height: 1.4in. approx.
MTBF:	Electronics: 100,000 hours Head Life: 500,000 minimum
Environment:	Operating Temp.: 0°C - 50°C Storage Temp.: -20°C - 70°C Operating Humidity: 8%-95% Storage Humidity: 5% -95%

Bezel Selection**XS1025-00****XS1025-09****XS1025-24**

√ custom bezels and colors available

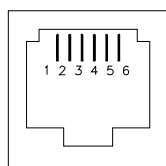
Series PI70-120-TLA-DFR

Series PI70-120-TLA-DFR is a partial insertion magnetic stripe card reader with a TTL ASCII interface. The unit is designed to read either one or two tracks of F2/F encoded data with the following track combinations: track 1, 2, or 3, or tracks 1 and 2 or tracks 2 and 3. The encoded data can be read on insertion, withdrawal, or both. Direct optical front and rear card detects are standard. For use with transparent cards, mechanical front and rear card detects are available.

Anti-static features and an internal watchdog are employed to insure the uninterrupted operation of the reader in environments where static discharge is normally problematic; such as a casino's gaming floor. Superbrite LEDs are used to illuminate the card reader's slot for easy entry visibility. All XS Technology card readers are backed by a one-year warranty.

Pin Assignment

RJ11-6-6



- 1 TXD
- 2 RXD
- 3 +5V
- 4 GND
- 5 -CDR
- 6 +5V LAMPS

AUX LAMP DRIVER AMP# 10523-1

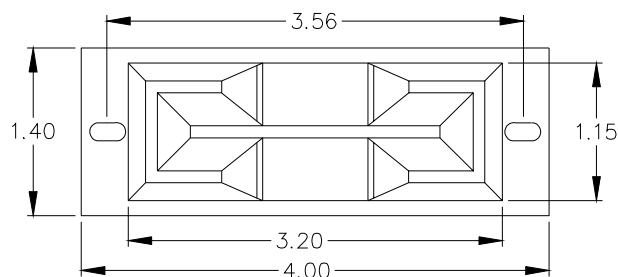


- 1 +5V LAMPS
 - 2 +5V LAMPS
 - 3 OUT (OPEN DRAIN)
 - 4 OUT (OPEN DRAIN)
- 300 mA TOTAL

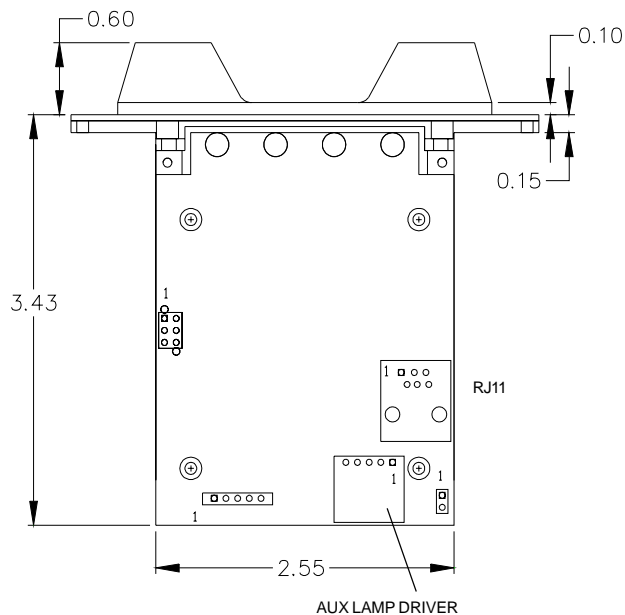
Power Requirements

- Voltage: 5V DC +/-10%
- Current
- Reader: 50mA max.
- Lamp: 85mA typ.

Dimensions



Bezel XS1025



PI Reader Module